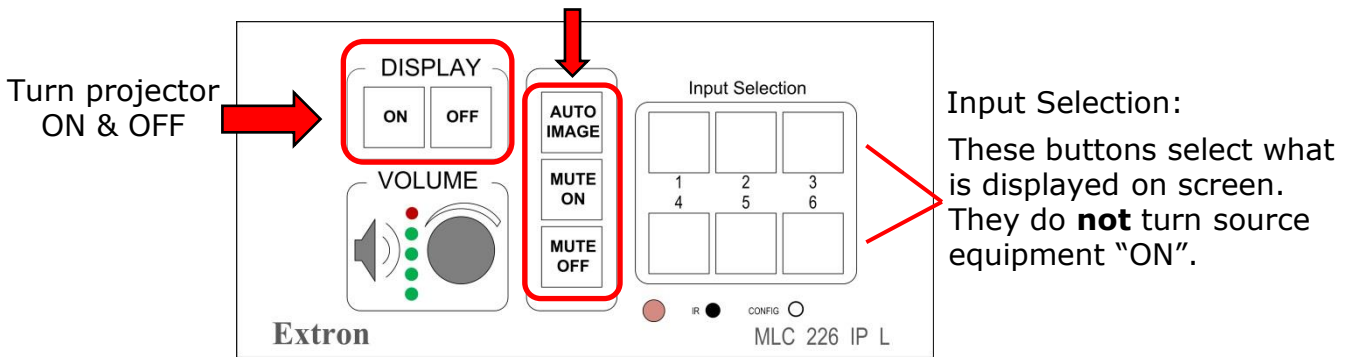


## The Switcher

Control the displayed image. ('Mute' will **not** shut down projector)



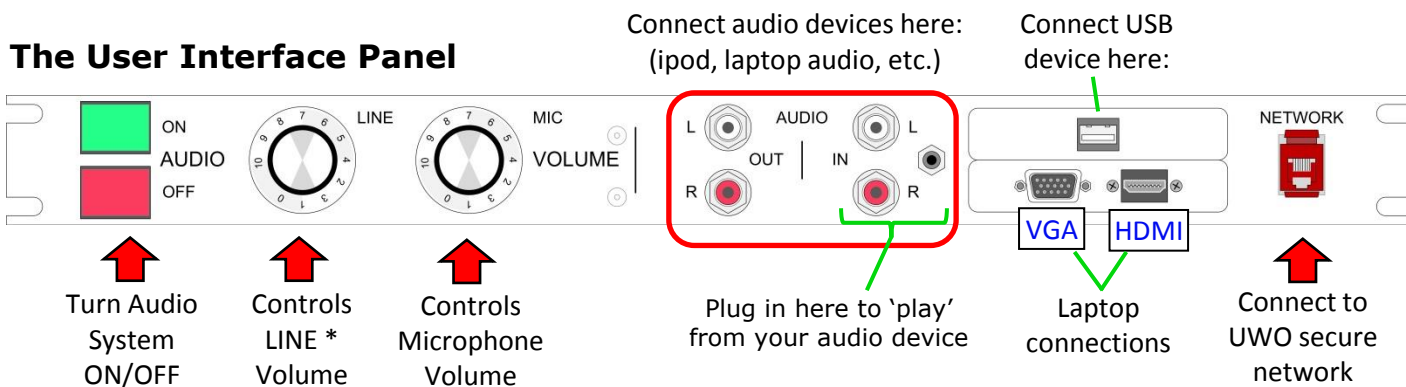
## Using the projector

1. Press the "ON" button on the Switcher.
2. Press the "INPUT SELECTION" button that corresponds with the video source (Rack PC, DVD/VCR, or laptop) that you want to use.
3. When you are finished press the "OFF" button on the Switcher.

## Connecting your laptop

1. Plug the VGA cable (located in a rack drawer) into the LAPTOP port on the User Interface Panel as shown.
2. Turn on the projector, - then turn on and boot up your Laptop.
3. On the Switcher, press whichever "LAPTOP" button applies (VGA, or HDMI)

## The User Interface Panel

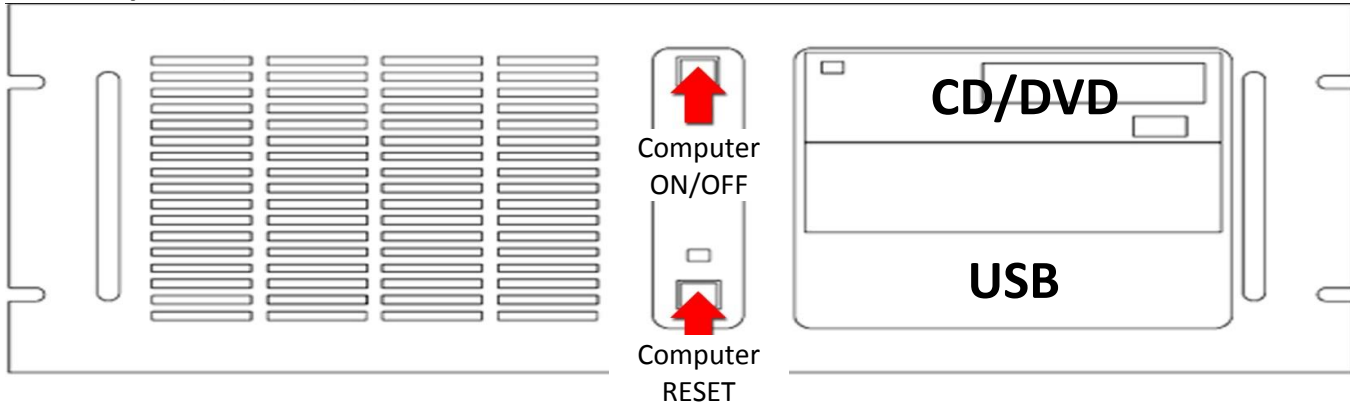


## Using the audio system

1. Press the GREEN "ON" button on the User Interface Panel.
2. Adjust the volume of the computer and DVD/VCR using the LINE VOLUME knob; the microphone audio is adjusted with the MIC VOLUME knob.
3. When you are finished press the RED "OFF" button to turn the audio system off.

\*LINE audio is any sound from the DVD/VCR, Computer, Laptop, or audio device connected to the AUDIO inputs of the audio panel. The LINE Volume control *does not* affect system microphone levels.

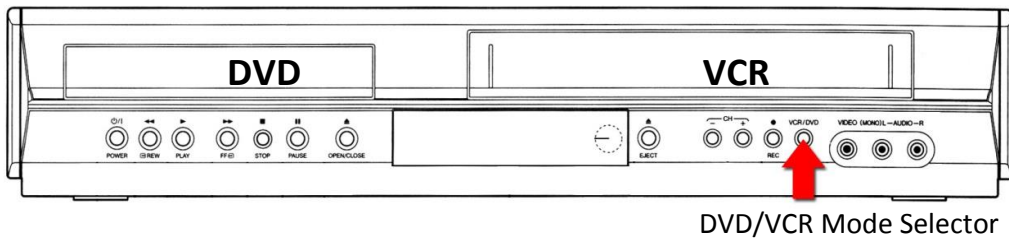
## The Computer (RACK PC)



## Using the computer

1. Turn on the projector(s) and the audio system.
2. Turn on the computer using the "ON/OFF" button.
3. Press the button labeled "Rack PC" on the Switcher.
4. The wireless pointer will be in the rack drawer of the a/v cabinet.
5. When you are finished turn off the computer, projector(s), and audio system.

## VCR/DVD



## Showing a video tape or DVD...

1. Turn on the projector(s) and the audio system.
2. Press the "POWER" button to turn on the DVD/VCR.
3. Press the button labeled "DVD/VCR" on the Switcher.
4. Press the DVD/VCR mode selector button on the player to select VCR or DVD.
5. Insert your Tape or DVD and press play.
6. For extended DVD/VCR functions, there is a remote control stored in the rack drawer of the a/v cabinet.

Please turn off the AV equipment when your class is over.